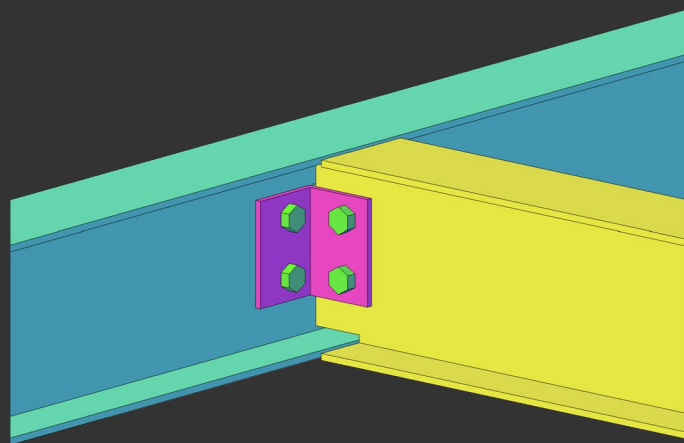


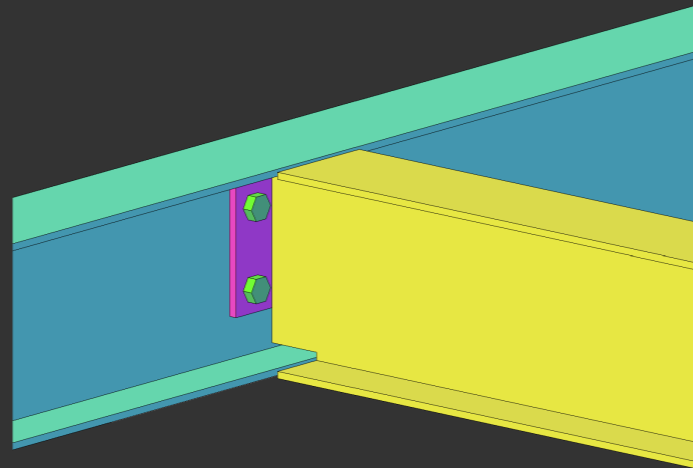
Standard Structural Steel Connections

Part I

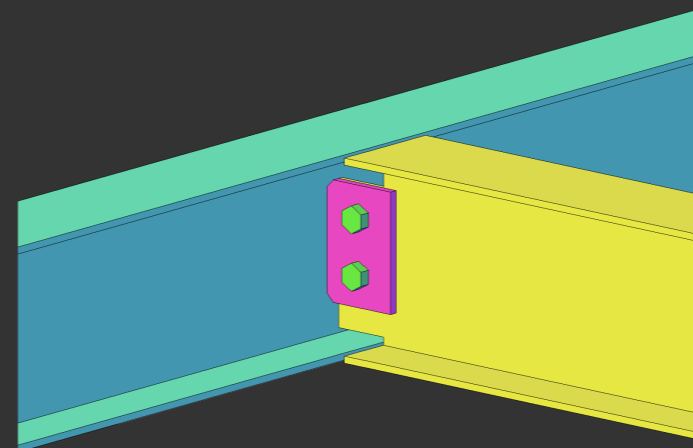
Beam to Beam connections



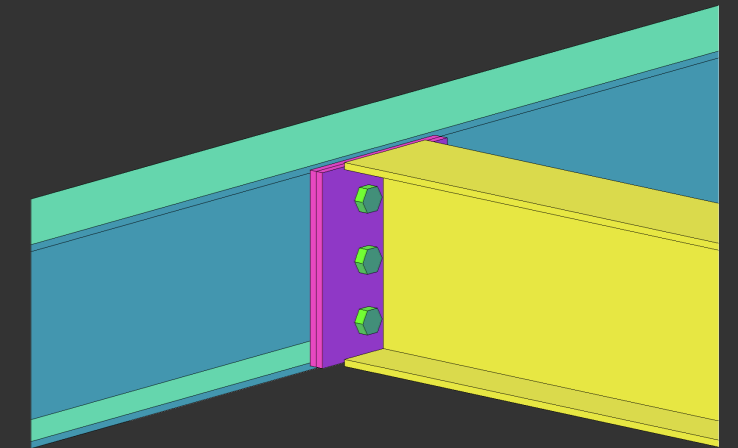
Angle Cleat



End Plate

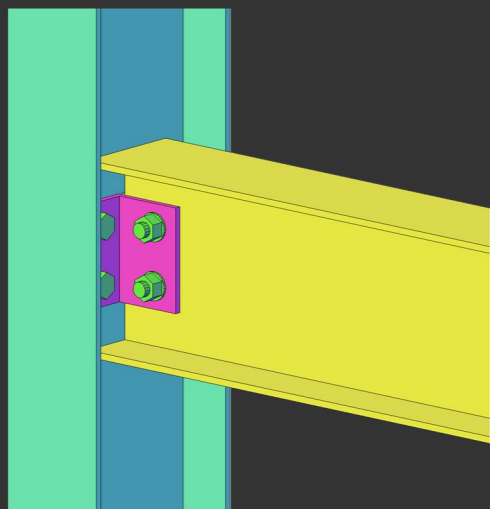


Fin Plate

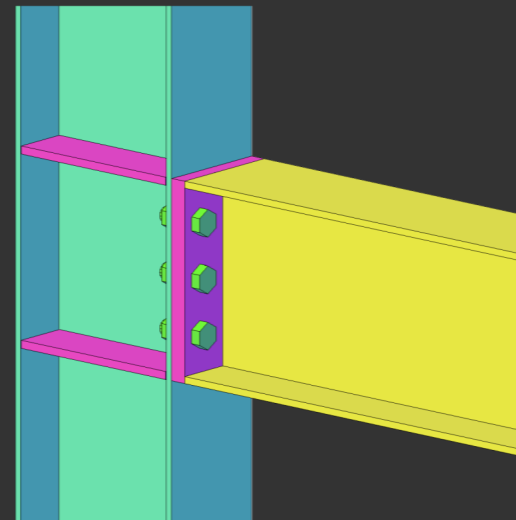


Toe Plate

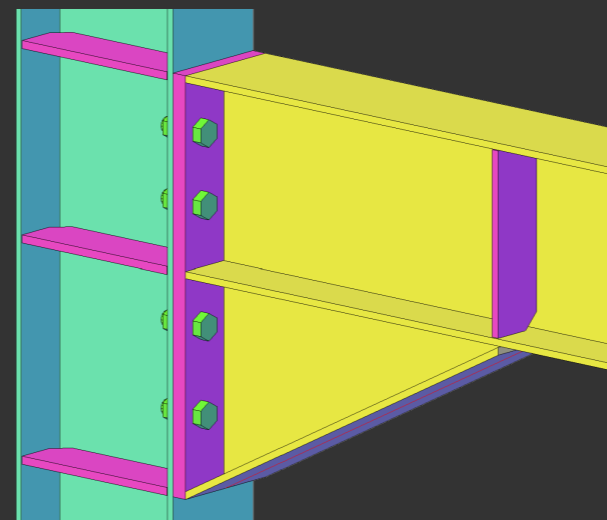
Column to Beam connections



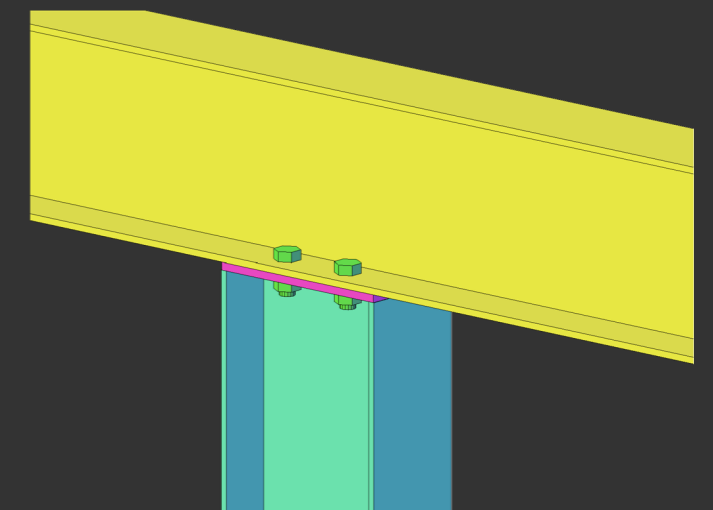
Angle Cleat



Moment End Plate



Beam Haunch



Column End Plate